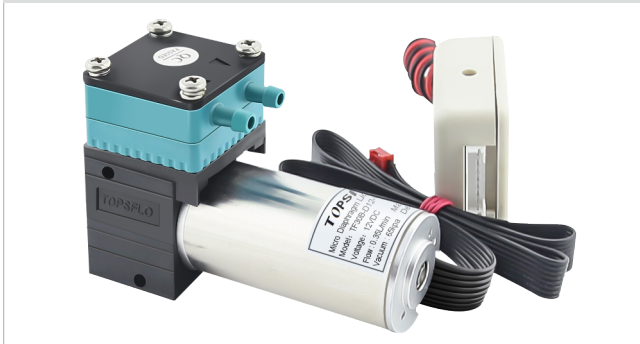


# TF30A-D

## Micro Diaphragm Pump

TF30A-D



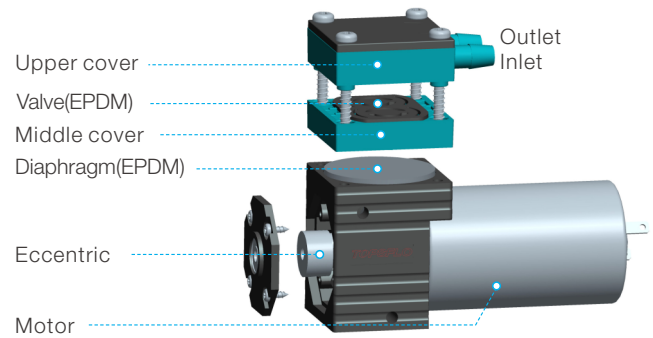
### Typical Applications

- Inkjet printer
- Fireplace
- Water purifier
- Analytical instruments
- Semi-conductors
- Medical equipment
- Lab equipment
- Food & beverage industry
- Cleaning industry

### Features

- Self priming function is available
- Dry running is acceptable
- Food grade type can be customized
- Excellent reliability
- Maintenance free
- Coreless brushless DC motor
- Inside controller type
- The motor runs low vibration and quieter than brush motor
- Spark free
- Durable ideal lifetime 15,000 hours.

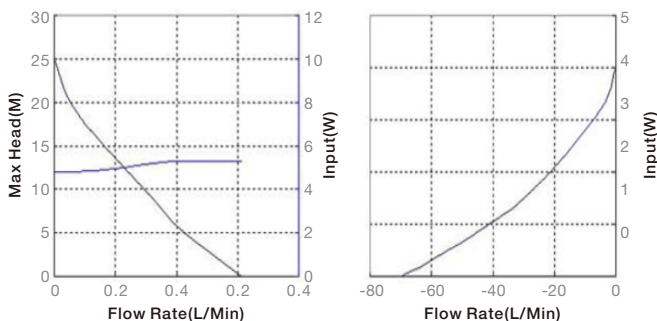
### Structure



### Specification

Model	Pressure Pump (Item Number)	Vacuum Pump (Item Number)	Rated Voltage (VDC)	No Load Current (A)	0 D [+ H D G (M)	Max Flow (L/min)	Motor Type	Lifetime (Hours)
TF30A-D	TF30A-D12-W1004	TF30A-D12-V7004	12	0.24	10	0.4	BLDC	15,000
	TF30A-D24-W1004	TF30A-D24-V7004	24	0.15	10	0.4	BLDC	15,000

### Curve



### Dimension (mm)

